

REQUEST FOR QUOTATIONS: SUPPLY, DELIVERY AND OFFLOADING OF TWO (2) SMALL MOBILE HEMP DECORTICATOR MACHINES

REFERENCE NO: RFQ 46 – 2023 2024

ECRDA
2nd Floor
Phase 3
3-33 Philip Frame Road
Waverley Office Park
Chiselhurst
EAST LONDON

Name of Tenderer/Bidder:

Total Bid Price: _____

Compulsory Briefing Session: NO

Bid issue date: 14 March 2024

Closing Date: 22 March 2024

Closing Time: **11h00**

CONTENTS

DEFINITIONS.....	4
SECTION A	6
1. Background:	6
1.1 Introduction.....	6
1.2 Bid Specific Conditions	6
1.3 Bid Enquiries.....	8
1.4 Contracting.....	8
1.5 Important to Note	8
SECTION B.....	9
2. AUTHORITY TO SIGN.....	9
4. EVALUATION PROCESS AND CRITERIA.....	14
SECTION E.....	16
5. Technical Information.....	16
5.1 Documentation to be submitted by interested Bidder - Specific	16
5.2 Contractual Requirements	16
Table 1: Compulsory returnable documents that must be submitted for Pre-qualification.....	17
SECTION G: STANDARD BIDDING DOCUMENTS	18
PART B	20
TERMS AND CONDITIONS FOR BIDDING.....	20
ANNEXURE III	21
DETAILED QUOTATION	21
PRICING SCHEDULE – FIRM PRICES.....	22
ANNEXURE V.....	23
SBD 4	23
DECLARATION OF INTEREST	23
ANNEXURE VI.....	26
PREFERENCE POINTS CLAIM FORM	26
SBD 6.1	26
80/20 or 90/10.....	28

ANNEXURE VII.....	31
CONTRACT FORM – PURCHASE OF GOODS/WORKS	31
SBD 7.1	31
CONTRACT FORM - PURCHASE OF GOODS/WORKS	31
PART 1 (TO BE FILLED IN BY THE BIDDER).....	31
PART 2 (TO BE FILLED IN BY THE PURCHASER)	33
ITEM	33
BRAND	33
ANNEXURE VIII.....	35
GENERAL CONDITIONS OF CONTRACT	35
SECTION G	35
GENERAL CONDITIONS OF CONTRACT	35
GOVERNMENT PROCUREMENT	35
TABLE OF CLAUSES	37
GENERAL CONDITIONS OF CONTRACT	38

DEFINITIONS

In this bid, unless the context indicates otherwise, any word or expression to which the meaning has been assigned must bear the meaning so assigned-

- a) **“Act”** means the Preferential Procurement Policy Framework Act, 2000 (Act No.5 of 2000) unless the context indicates otherwise;
- b) **“all applicable taxes”** includes value-added tax, pay as you earn, income tax, unemployment insurance fund contributions and skills development levies;
- c) **“bid”** means a written offer in a prescribed or stipulated form in response to an invitation by an organ of state for the provision of services, works or goods, through price quotations, advertised competitive bidding processes or proposals;
- d) **“business day”** means an official working day of the week between and including Monday to Friday and which excludes public holidays and weekends;
- e) **“comparative price”** means the price after the factors of a non-firm price and all unconditional discounts that can be utilized have been taken into consideration;
- f) **“consortium or joint venture”** means an association of persons for the purpose of combining their expertise, property, capital, efforts, skill and knowledge in an activity for the execution of a contract;
- g) **“contract”** means the agreement that results from the acceptance of a tender by an organ of state;
- h) **“designated sector”** means a sector, sub-sector or industry that has been designated by the Department of Trade and Industry in line with national development and industrial policies for local production, where only locally produced services, works or goods or locally manufactured goods meet the stipulated minimum threshold for local production and content;
- i) **“firm price”** means the price that is only subject to adjustments in accordance with the actual increase or decrease resulting from the change, imposition, or abolition of customs or excise duty and any other duty, levy, or tax, which, in terms of the law or regulation, is binding on the contractor and demonstrably has an influence on the price of any supplies, or the rendering costs of any service, for the execution of the contract;
- j) **“imported content”** means that portion of the tender price represented by the cost of components, parts or materials which have been or are still to be imported (whether by the supplier or its subcontractors) and which costs are inclusive of the costs abroad, plus freight and other direct importation costs, such as landing costs, dock dues, import duty, sales duty, or other similar tax or duty at the South African port of entry;

- k) **“local content”** means that portion of the tender price which is not included in the imported content, provided that local manufacture does take place;
- l) **“non-firm prices”** means all prices other than “firm” prices;
- m) **“Order”** means an official written order issued for the supply of goods or works or the procuring of a service;
- n) **“person”** includes a juristic person;
- o) **“stipulated minimum threshold”** means that portion of local production and content as determined by the Department of Trade and Industry;
- p) **“sub-contract”** means the primary contractor’s assigning, leasing, making out work to, or employing, another person to support such primary contractor in the execution of part of a project in terms of the contract;

SECTION A

REQUEST FOR QUOTATIONS (RFQ) – SUPPLY, DELIVERY AND OFFLOADING OF TWO (2) SMALL MOBILE HEMP DECORTICATOR MACHINES

REFERENCE NUMBER: RFQ 46 – 2023/24

1. Background:

1.1 Introduction

The ECRDA is a Provincial Public Entity as referred to in Schedule 3C of the PFMA. The entity was established following a decision by the Government of the Eastern Cape to consolidate and integrate the overlapping mandates of provincial entities on matters pertaining to Rural Development and Agrarian reform. The ECRDA hereby invites service provider for supply, delivery and offloading of two (2) small mobile hemp decorticator machines.

1.2 Bid Specific Conditions

Bidders are required to properly complete the bid document, attach relevant information and adhere to the conditions as stipulated below.

1.2.1 Returnable documents

- a) Bidders must submit proof of registration on the National Central Supplier Database (CSD). In terms of National Treasury Instruction No. 4A of 2016/17 regarding the CSD, all bidders must register on the CSD to provide the following information to be verified through the CSD:
 - (i) Business registration, including details of directorship and membership;
 - (ii) Bank Account holder information;
 - (iii) In the service of the State status;
 - (iv) Tax compliance status;
 - (v) Identity number;
 - (vi) Tender default and restriction status.

- b) The following Standard Bidding Documents (SBDs) must be completed in full and duly signed where relevant.
 - (i) Authority of signature/Resolution
 - (ii) Invitation to bid (SBD 1).
 - (iii) Pricing schedule (SBD 3.3)

- (iv) Declaration of interest (SBD 4)
- (v) Preference Points claim form (SBD 6.1)
- (vi) Contract form (SBD7.1)
- (vii) General conditions of contract.

a) Failure by the bidder to submit documents as mentioned above will result in the bidder not being allocated any points for specific goals.

1.2.2 Submission of Bid Documents

- a) All standard bidding documents, forms, annexures and addenda (where applicable) shall be completed in full and signed where required.
- b) Any expenses incurred by the bidder in the preparation and submission of tender will be solely for the bidder's account and ECRDA shall not be liable for such expenses in whatsoever manner.
- c) The completed bid document must be submitted via email only to tenders@ecrda.onmicrosoft.com.
- d) All email submissions must be broken into size smaller than 30MB per email (1 bid, 1 email).
- e) Bidders must refrain from submitting different bid documents under one email.
- f) All documents must preferably be sent in PDF (compressed if possible) format.
- g) Bidders are to note that bids must be received by ECRDA by the deadline. It is not sufficient to send it before the deadline.
- h) Bidders are therefore required to make sure that large emails, that may take long to be transported through email system, be sent well in advance of the required receipt deadline.
- i) Bidders MUST make use of the tender reference in their email subject lines.
- j) Bidders are recommended to make use of logical subject names for emails when submitting bids, for example (SCMU/RFP/RFQ/EOI REF NUMBER followed by a bid description).

1.2.3 Validity of prices

- a) All prices shall be quoted in South African currency inclusive of VAT and will hold good for **90 days** (validity period of bids) from the closing date.
- b) Only firm prices will be accepted in respect of this bid.

1.2.4 Negotiating a fair market price

- a) The ECRDA reserves the right to enter into negotiations with the preferred bidders for a fair market price if on its own assessment is of the view that the highest scoring bidder is charging prices higher than the fair market price.

1.2.5 Authority to sign

- a) Bidders must indicate the capacity under which the bid is signed by a delegated individual (e.g., director) and provide proof of authority (e.g., a resolution).

- b) The specimen of authority of signature/resolution has been attached in the bid document for both companies/close corporations/partnerships and sole proprietorship.

1.2.6 Trust/Consortium/Joint Ventures

- a) A trust/consortium/joint venture agreement must be formalized prior to submitting the bid.
- b) The trust/consortium/joint venture agreement must be submitted with the bid proposal bearing signatures of all the parties concerned and disclosing at a minimum the following key information:
- Names of the parties to the agreement;
 - Management;
 - Percentage participation by each member;
 - Banking details

1.3 Bid Enquiries

- 1.3.1 Technical Enquiries should be directed to Dr L Blouw - Telephone: 043 703 6300 or email: blouw@ecrda.co.za.
- 1.3.2 Administrative Enquiries should be directed Mr Aviwe Langa -Telephone: 043 703 6300 or email: langaa@ecrda.co.za.

1.4 Contracting

- 1.4.1 The final award of the contract to the successful bidder is subject to issue of the following documents by ECRDA:
- a) Contract form - SBD 7.1 for completion and signature by both ECRDA and the successful bidder. The contract form has been attached in the bid document for bidders to understand its contents as it will have a binding effect at contract award stage;
- b) Letter of award (in terms of which the bidder must indicate acceptance/non-acceptance thereof by way of signature);
- c) Service Level Agreement;
- b) Purchase order.

1.5 Important to Note

- 1.5.1 The ECRDA reserves the right not to appoint the highest scoring bidder and/or not to appoint any bidder.

ANNEXURE 1 (a)
AUTHORITY TO SIGN

SECTION B

2. AUTHORITY TO SIGN

Signatories for business entities shall confirm their authority thereto by attaching a duly signed and dated copy of the relevant resolution to this form.

An example is given below:

“By resolution passed at a meeting held on

Mr./Ms, whose signature appears below, has been duly authorized

to sign all documents in connection with the bid for **Contract NO** and any Contract that may

arise there from on behalf of (name of Bidder in block capitals)

.....

SIGNED ON BEHALF OF THE COMPANY:

IN HIS/HER CAPACITY AS:

DATE:

SIGNATURE OF SIGNATORY:

WITNESSES: 1.

2.

**ANNEXURE 1 (b)
AUTHORITY TO SIGN**

Sole Proprietorship/Sole Ownership of Business Enterprise Resolution of Authority

I,, certify that I am the sole owner (“Owner”/ “Director”) of the business operating under the name.....(“Business”), ID Number/Registration Number.....

I further certify that the Business is a sole proprietorship/owned solely by myself and that there is no one else having any right, title, or interest therein. I am the only person authorized to act in the name of or on behalf of the Business.

I have no knowledge of any other business that is using, or being operated under, a name which could be considered confusingly similar to the name of this sole proprietorship. All deposits which are to be made into the account of the sole proprietorship/ business enterprise will consist of funds to which I, the sole proprietor/ director, am legally entitled.

SIGNATURE OF THE SOLE PROPRIETOR/ DIRECTOR:

DATE:

WITNESSES: 1.

2.

SECTION C

3. SPECIFICATIONS FOR SUPPLY, DELIVERY AND OFFLOADING OF TWO (2) SMALL MOBILE HEMP DECORTICATOR MACHINES

3.1 Scope of Work

3.1.1 Background

The Cannabis and Hemp sector is one of fourteen priority sectors included in the government's Country Investment Strategy as holding significant potential to secure investment, job creation, and support for sustainable rural livelihoods, in recognition of people's rights.

Cannabis and hemp are sunrise industries in the country. The relevant national government departments are still busy with amending and developing relevant cannabis regulatory frameworks to enable sector development and investment attraction to the country.

Of the three cannabis & hemp global market drivers, namely, medicinal, recreational, and industrial, it is the medicinal cannabis and industrial hemp industries that are in the early stages of the commercialisation in South Africa. The amendments of the Medicines and Related Substances Act, 1965, and Plant Improvement Act (PIA) No. 53, 1976, allow for the cultivation, manufacture, and distribution of cannabis for medical purposes and are regulated in terms of Section 22C(1)(b) and Section 22 (A) with "hemp", a low THC plants or part of plants of *Cannabis sativa* L. cultivated for agricultural or industrial purposes, of which the leaves and flowering heads do not contain more than 0.2% THC is regulated by PIA.

The relevant Government entities, including the ECRDA, and private sector institutions are involved in conducting agronomic research to assess the performance of varied imported hemp seeds under SA agroclimatic conditions to fast track their registration for commercial use. Of equal importance to the Eastern Cape Province is the development of practical strategies to mainstream indigenous cannabis growers into the legal cannabis market by exploring various regulatory provisions available. One such strategy is the use of biomass from indigenous cannabis growers for industrial applications.

The building of research and product development capabilities of the provincial state entities in a form of establishing cannabis & hemp incubation facilities to support sector specific enterprise development across the differentiated industrial value chains is a priority for the province.

To unlock the downstream value-added opportunities, a proper evaluation of hemp produce, such as fibres and flowers need to be undertaken to benchmark against international standards. In this regard, the ECRDA, seeks to purchase a small mobile hemp decorticator to extract hemp fibre from the hemp stalk biomass. The fibres and woody core by-waste will then be evaluated and used to develop varied industrial product prototypes.

The ECRDA is requesting quotations for the supply, delivery and offloading of two (2) small mobile hemp decorticator machines for its cannabis & hemp incubation facilities to conduct post-farm gate hemp biomass processing (fibres and woody-core) and evaluation.

3.1.2 Overall Objective Of The Project

The overall objective is the supply, delivery and offloading of two (2) small mobile hemp decorticator machines for small bast fibre processing operations capable of extracting fibres from the cannabis & hemp biomass, such as hemp stalk. The extracted fibres and woody-core by- material will be evaluated for their quality and subsequent use in downstream value-added product development opportunities.

3.1.3 Purpose

The purpose of this bid is to appoint a service provider for supply, delivery and offloading of two (2) small mobile hemp decorticator machines.

3.1.4 Work Scope

Supply, delivery and offloading of two (2) small mobile hemp decorticator machines

- The machines are designed to separate fibres and woody core from the retted bast fibre crops, such as hemp straw (biomass) for fibre & wood-core properties evaluation and further downstream value add for a variety of applications, such as in textiles, building & construction;
- The power supply for the machine should be 220 – 260V;
- The machine should have safety covers to protect operators and be easy to operate with minimal maintenance;
- The company must provide a demonstration of how the machine operates to the machine operators (5x machine operators per site)
- The supply and delivery of the mobile decorticator machine shall include installation and commissioning.
- The machine must have a one (1) year warranty
- A detailed quotation (inclusive of VAT) must be submitted with the bid proposal, similar to the quotation specimen in ANNEXURE III. A manufacturer machine brochure OR document on machine technical specification description that includes following information should also be attached:
 - ❖ the description
 - ❖ dimensions
 - ❖ warranty
 - ❖ capacity
 - ❖ power supply range

Specifications of decorticator machine:

Functions

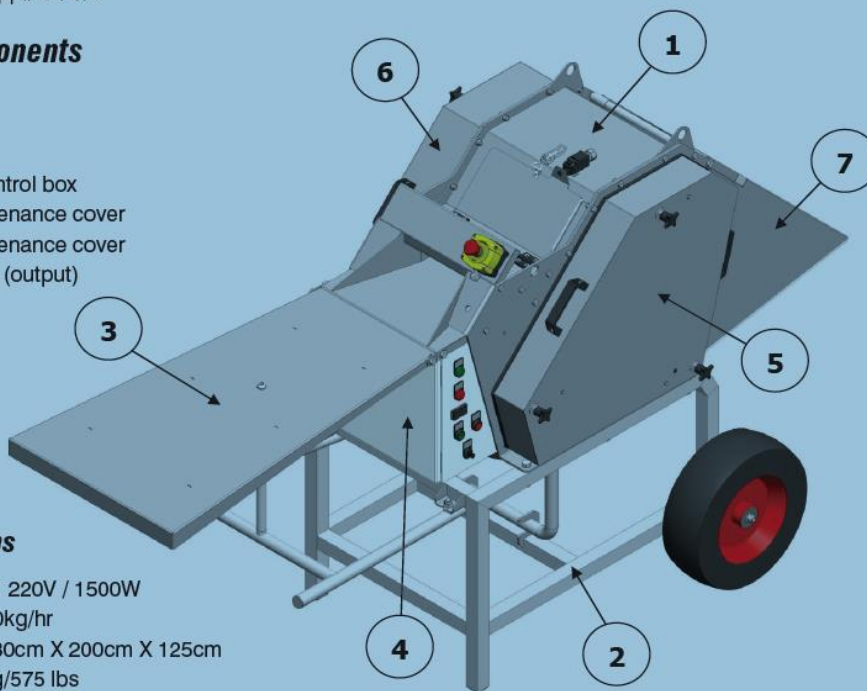
The HurdMaster MD 1000 micro decorticator is intended for small farming and processing operations and for CBD and marijuana producers who want to capitalize on leftover stems. The machine is designed for separating the cannabis stalk's woody inner core (hurd, shivs, shives) from the exterior bast fibers. With additional technology, the separated bast fibers can be further processed for a wide, wide variety of applications.

Main components

1. Main body
2. Main frame
3. Infeed table
4. Electrical control box
5. Safety/maintenance cover
6. Safety/maintenance cover
7. Safety frame (output)

Technical specifications

- Power supply: 220V / 1500W
- Capacity: ~50kg/hr
- Dimensions: 80cm X 200cm X 125cm
- Weight: 260kg/575 lbs



Operation

- Manual input/output requires 2 workers
- Designed for long hemp stalks
- Max size for stalk input up to 2.5 cm in diameter.
- Produces shivs 5-30mm long
- Output up to 50 kg per hour



3.3 Duration of the Project

- The service provider must be able to deliver within thirty (30) days of issuing of the purchase order.
- The delivery is as follows:

Dohne Agriculture Development Institute
Department of Rural Development and Agrarian Reform
N6 towards Cathcart

Coordinates: Longitude 27.460588° E; Latitude -32.526625° S

- The delivery period (days) must be clearly indicated on the relevant space of SBD 3.3.

3.4 Costing

- A detailed costing/quotation must be provided as in ANNEXURE III.
- Costing provided must be VAT inclusive.

SECTION D

4. EVALUATION PROCESS AND CRITERIA

Proposals will be evaluated in terms of the ECRDA Supply Chain Management Policy, Preferential Procurement Policy Framework Act 2000 and the Preferential Procurement Regulation of 2022.

The evaluation of bid responses will be conducted in three (3) phases as follows:

4.1 Phase 1: Eligibility/Pre-qualification criteria

Bidders will be evaluated according to pre-qualification requirements which include the submission of mandatory information or documentation. Bidders that fail to meet the pre-qualification requirements of the bid will not be considered further for evaluation.

The bidder must meet the following pre-qualification requirements:

- a) The firm must be registered on the National Treasury supplier database at the time of submitting the proposal.
- b) Submission of the following Signed and Completed Standard Bid Documents (SBD) Forms:
 - Authority to sign/ Resolution
 - SBD 1: Invitation to Bid
 - SBD 3.3 Pricing Schedule
 - SBD 4: Declaration of Interest
 - SBD 6.1 Preference Points Claim Form
 - SBD 7.1 Contract Form
 - General Conditions of Contract (GCC)

Failure to comply with the above pre-qualification requirements will lead to the disqualification of the bid.

4.2 Phase 2: Technical Evaluation

4.2.1 Bidders must submit required information with the bid proposal as outlined in section C above, in the terms of reference and section E below.

4.2.2 The service provider must be able to deliver within thirty (30) days after issuing of the purchase order. The delivery period must be clearly outlined in SBD 3.3.

4.3 Phase 3: Financial Proposal and Specific Goals evaluation

Bids that meet the technical specifications will be evaluated further in terms of the 80/20 preference point system.

The preference point's claim is in terms of the Preferential Procurement Regulations 2022.

As per the table below, price is evaluated over 80 points and preference points over 20:	80 Points
Price Assessment	80 Points
Specific Goals:	20 Points

SECTION E

5. Technical Information

5.1 Documentation to be submitted by interested Bidder - Specific

5.1.1 Interested persons (hereinafter referred to as Bidders) are required to respond to the specifications by submitting their detailed responses with supporting documentation as stipulated hereunder. Incomplete and non-compliant responses will not be considered.

5.2 Contractual Requirements

5.2.1 Bidders are invited to submit quotations for supply, delivery and offloading of two (2) small mobile hemp decorticator machines.

5.2.2 The service provider must be able to deliver within thirty (30) days after issue of the purchase order.

5.3 Consideration of Bids

5.3.1 There will be no compulsory briefing session for this bid.

5.3.2 Only bidders who have met the prequalification criteria and technical requirements following an assessment of the proposal submitted in response to this RFQ will be evaluated further based on price and specific goal points.

SECTION F

Table 1: Compulsory returnable documents that must be submitted for Pre-qualification

Document that must be submitted	Non-submission will result in disqualification	
Invitation to Bid – SBD 1	Yes	Complete and sign the supplied pro forma document.
Authority to sign/Resolution	Yes	Complete and sign the supplied pro forma document/ Attach resolution
Pricing Schedule SBD 3.3	Yes	Complete the supplied pro forma document. Ensure that the information required below is provided Price validity period <input type="text"/> Delivery period after issue of purchase order <input type="text"/>
Detailed Quotation	Yes	Complete Annexure III
Declaration of Interest – SBD 4	Yes	Complete and sign the supplied pro forma document
Preference Point Claim Form – SBD 6.1	No	Complete and sign the supplied pro forma document Incomplete form will lead to a zero (0) score on BBEE
Registration on Central Supplier Database (CSD)	Yes	The bidder must be registered as a service provider on the Central Supplier Database (CSD). If you are not registered proceed to complete the registration of your company prior to submitting your proposal. Visit https://secure.csd.gov.za/ to obtain your vendor number. Submit proof of registration.
Completed & signed GCC	Yes	Complete and sign the supplied pro forma document

The ECRDA does not bind itself to the completeness of the checklist for pre-qualification and technical requirements. As such, it is incumbent on the bidders to ensure that compliance with all the bid requirements is adhered to.

SECTION G: STANDARD BIDDING DOCUMENTS

ANNEXURE II

INVITATION TO BID
SBD 1

PART A

YOU ARE HEREBY INVITED TO BID FOR REQUIREMENTS OF THE (NAME OF DEPARTMENT/ PUBLIC ENTITY)					
BID NUMBER:	RFQ 46 – 2023/24	CLOSING DATE:	22 March 2024	CLOSING TIME:	11H00
DESCRIPTION	SUPPLY, DELIVERY AND OFFLOADING OF TWO (2) SMALL MOBILE HEMP DECORTICATOR MACHINES				
BID RESPONSE DOCUMENTS MUST BE SUBMITTED VIA EMAIL TO tenders@ecrda.onmicrosoft.com					
BIDDING PROCEDURE ENQUIRIES MAY BE DIRECTED TO			TECHNICAL ENQUIRIES MAY BE DIRECTED TO:		
CONTACT PERSON	Mr A Langa		CONTACT PERSON	Dr L Blouw	
TELEPHONE NUMBER	043 703 6300		TELEPHONE NUMBER	043 703 6300	
FACSIMILE NUMBER			FACSIMILE NUMBER		
E-MAIL ADDRESS	langaa@ecrda.co.za		E-MAIL ADDRESS	blouwl@ecrda.co.za	
SUPPLIER INFORMATION					
NAME OF BIDDER					
POSTAL ADDRESS					
STREET ADDRESS					
TELEPHONE NUMBER	CODE		NUMBER		
CELLPHONE NUMBER					
FACSIMILE NUMBER	CODE		NUMBER		
E-MAIL ADDRESS					
VAT REGISTRATION NUMBER					
SUPPLIER COMPLIANCE	TAX COMPLIANCE		OR	CENTRAL SUPPLIER	MAAA

STATUS	SYSTEM PIN:		DATABASE No:	
B-BBEE STATUS LEVEL VERIFICATION CERTIFICATE	TICK APPLICABLE BOX] <input type="checkbox"/> Yes <input type="checkbox"/> No		B-BBEE STATUS LEVEL SWORN AFFIDAVIT	[TICK APPLICABLE BOX] <input type="checkbox"/> Yes <input type="checkbox"/> No
[A B-BBEE STATUS LEVEL VERIFICATION CERTIFICATE/ SWORN AFFIDAVIT (FOR EMES & QSEs) MUST BE SUBMITTED IN ORDER TO QUALIFY FOR PREFERENCE POINTS FOR B-BBEE]				
ARE YOU THE ACCREDITED REPRESENTATIVE IN SOUTH AFRICA FOR THE GOODS /SERVICES /WORKS OFFERED?	<input type="checkbox"/> Yes <input type="checkbox"/> No [IF YES ENCLOSE PROOF]		ARE YOU A FOREIGN BASED SUPPLIER FOR THE GOODS /SERVICES /WORKS OFFERED?	<input type="checkbox"/> Yes <input type="checkbox"/> No [IF YES, ANSWER THE QUESTIONNAIRE BELOW]
QUESTIONNAIRE TO BIDDING FOREIGN SUPPLIERS				
IS THE ENTITY A RESIDENT OF THE REPUBLIC OF SOUTH AFRICA (RSA)?				<input type="checkbox"/> YES
<input type="checkbox"/> NO				
DOES THE ENTITY HAVE A BRANCH IN THE RSA?				<input type="checkbox"/> YES
<input type="checkbox"/> NO				
DOES THE ENTITY HAVE A PERMANENT ESTABLISHMENT IN THE RSA?				<input type="checkbox"/> YES
<input type="checkbox"/> NO				
DOES THE ENTITY HAVE ANY SOURCE OF INCOME IN THE RSA?				<input type="checkbox"/> YES
<input type="checkbox"/> NO				
IS THE ENTITY LIABLE IN THE RSA FOR ANY FORM OF TAXATION?				<input type="checkbox"/> YES
<input type="checkbox"/> NO				
IF THE ANSWER IS "NO" TO ALL OF THE ABOVE, THEN IT IS NOT A REQUIREMENT TO REGISTER FOR A TAX COMPLIANCE STATUS SYSTEM PIN CODE FROM THE SOUTH AFRICAN REVENUE SERVICE (SARS) AND IF NOT REGISTER AS PER 2.3 BELOW.				

PART B
TERMS AND CONDITIONS FOR BIDDING

1. BID SUBMISSION:

- 1.1. BIDS MUST BE DELIVERED BY THE STIPULATED TIME TO THE CORRECT ADDRESS. LATE BIDS WILL NOT BE ACCEPTED FOR CONSIDERATION.
- 1.2. **ALL BIDS MUST BE SUBMITTED ON THE OFFICIAL FORMS PROVIDED– (NOT TO BE RE-TYPED) OR IN THE MANNER PRESCRIBED IN THE BID DOCUMENT.**
- 1.3. THIS BID IS SUBJECT TO THE PREFERENTIAL PROCUREMENT POLICY FRAMEWORK ACT, 2000 AND THE PREFERENTIAL PROCUREMENT REGULATIONS, 2017, THE GENERAL CONDITIONS OF CONTRACT (GCC) AND, IF APPLICABLE, ANY OTHER SPECIAL CONDITIONS OF CONTRACT.
- 1.4. **THE SUCCESSFUL BIDDER WILL BE REQUIRED TO FILL IN AND SIGN A WRITTEN CONTRACT FORM (SBD7).**

2. TAX COMPLIANCE REQUIREMENTS

- 2.1 BIDDERS MUST ENSURE COMPLIANCE WITH THEIR TAX OBLIGATIONS.
- 2.2 BIDDERS ARE REQUIRED TO SUBMIT THEIR UNIQUE PERSONAL IDENTIFICATION NUMBER (PIN) ISSUED BY SARS TO ENABLE THE ORGAN OF STATE TO VERIFY THE TAXPAYER'S PROFILE AND TAX STATUS.
- 2.3 APPLICATION FOR TAX COMPLIANCE STATUS (TCS) PIN MAY BE MADE VIA E-FILING THROUGH THE SARS WEBSITE WWW.SARS.GOV.ZA.
- 2.4 BIDDERS MAY ALSO SUBMIT A PRINTED TCS CERTIFICATE TOGETHER WITH THE BID.
- 2.5 IN BIDS WHERE CONSORTIA / JOINT VENTURES / SUB-CONTRACTORS ARE INVOLVED, EACH PARTY MUST SUBMIT A SEPARATE TCS CERTIFICATE / PIN / CSD NUMBER.
- 2.6 WHERE NO TCS IS AVAILABLE BUT THE BIDDER IS REGISTERED ON THE CENTRAL SUPPLIER DATABASE (CSD), A CSD NUMBER MUST BE PROVIDED.
- 2.7 NO BIDS WILL BE CONSIDERED FROM PERSONS IN THE SERVICE OF THE STATE, COMPANIES WITH DIRECTORS WHO ARE PERSONS IN THE SERVICE OF THE STATE, OR CLOSE CORPORATIONS WITH MEMBERS PERSONS IN THE SERVICE OF THE STATE."

NB: FAILURE TO PROVIDE / OR COMPLY WITH ANY OF THE ABOVE PARTICULARS MAY RENDER THE BID INVALID.

SIGNATURE OF BIDDER:

CAPACITY UNDER WHICH THIS BID IS SIGNED:
(Proof of authority must be submitted e.g. company resolution)

DATE:

**ANNEXURE III
DETAILED QUOTATION**

BIDDERS MUST ATTACH A DETAILED QUOTATION

This information shall be deemed to be material to the award of the Contract.

SMALL MOBILE HEMP DECORTICATOR MACHINE QUOTATION SAMPLE				
BUSINESS INFORMATION				
BUSINESS NAME:				
PHONE:			EMAIL:	
ADDRESS:				
CITY:		PROVINCE:		ZIP CODE:
ORDER DETAILS				
ITEM CODE	DESCRIPTION	QUANTITY	UNIT PRICE	TOTAL AMOUNT
<i>(Manufacturer machine production code if available)</i>	<i>(Other manufacturers called this a mini or small mobile hemp decorticator and use their own brand name to call it. The main function remains</i>	<i>Number of decorticators to be supplied as stated in</i>	<i>Price of one decorticator excl VAT</i>	<i>Quantity x unit price which excl VAT</i>
TOTAL VAT (15%)			<i>Include 15% VAT</i>	<i>15% VAT x Quantity</i>
GRAND TOTAL				

SIGNED ON BEHALF OF THE BIDDER:

ANNEXURE IV
PRICING SCHEDULE – FIRM PRICES
SBD 3.3

(PURCHASES)

NOTE: ONLY FIRM PRICES WILL BE ACCEPTED. NON-FIRM PRICES (INCLUDING PRICES SUBJECT TO RATES OF EXCHANGE VARIATIONS) WILL NOT BE CONSIDERED. IN CASES WHERE DIFFERENT DELIVERY POINTS INFLUENCE THE PRICING, A SEPARATE PRICING SCHEDULE MUST BE SUBMITTED FOR EACH DELIVERY POINT

Name of Bidder	
Bid Number	RFQ 46 – 2023/24
Closing Time	11h00
Closing Date	22 March 2024

Offer to be Valid For 90 Days from The Closing Date Of The Bid

Required by	ECRDA			
At	Dohne Agriculture Development Institute			
Brand and Model				
Country of Origin				
Firm Prices (Are the prices quoted firm?) clearly indicate with either a Yes or No	Yes	<input type="checkbox"/>	No	<input type="checkbox"/>
Period required for delivery?				
Is the delivery basis firm? Please clearly indicate with a a(tick) on the applicable box	Yes	<input type="checkbox"/>	No	<input type="checkbox"/>

Note: All delivery costs must be included in the bid price, for delivery at the prescribed destination.

** "all applicable taxes" includes value- added tax, pay as you earn, income tax, unemployment insurance fund contributions and skills development levies.

**ANNEXURE V
SBD 4
DECLARATION OF INTEREST**

BIDDER'S DISCLOSURE

1. PURPOSE OF THE FORM

Any person (natural or juristic) may make an offer or offers in terms of this invitation to bid. In line with the principles of transparency, accountability, impartiality, and ethics as enshrined in the Constitution of the Republic of South Africa and further expressed in various pieces of legislation, it is required for the bidder to make this declaration in respect of the details required hereunder.

Where a person/s are listed in the Register for Tender Defaulters and / or the List of Restricted Suppliers, that person will automatically be disqualified from the bid process.

2. Bidder's declaration

2.1 Is the bidder, or any of its directors / trustees / shareholders / members / partners or any person having a controlling interest¹ in the enterprise,

employed by the state?

YES/NO

2.1.1 If so, furnish particulars of the names, individual identity numbers, and, if applicable, state employee numbers of sole proprietor/ directors / trustees / shareholders / members/ partners or any person having a controlling interest in the enterprise, in table below.

Full Name	Identity Number	Name of State institution

¹ the power, by one person or a group of persons holding the majority of the equity of an enterprise, alternatively, the person/s having the deciding vote or power to influence or to direct the course and decisions of the enterprise.

2.2 Do you, or any person connected with the bidder, have a relationship with any person who is employed by the procuring institution? **YES/NO**

2.2.1 If so, furnish particulars:

.....
.....

2.3 Does the bidder or any of its directors / trustees / shareholders / members / partners or any person having a controlling interest in the enterprise have any interest in any other related enterprise whether or not they are bidding for this contract? **YES/NO**

2.3.1 If so, furnish particulars:

.....
.....

3 DECLARATION

I, the undersigned, (name)..... in submitting the accompanying bid, do hereby make the following statements that I certify to be true and complete in every respect:

- 3.1 I have read and I understand the contents of this disclosure;
- 3.2 I understand that the accompanying bid will be disqualified if this disclosure is found not to be true and complete in every respect;
- 3.3 The bidder has arrived at the accompanying bid independently from, and without consultation, communication, agreement or arrangement with any competitor. However, communication between partners in a joint venture or consortium² will not be construed as collusive bidding.
- 3.4 In addition, there have been no consultations, communications, agreements or arrangements with any competitor regarding the quality, quantity, specifications, prices, including methods, factors or

² Joint venture or Consortium means an association of persons for the purpose of combining their expertise, property, capital, efforts, skill and knowledge in an activity for the execution of a contract.

formulas used to calculate prices, market allocation, the intention or decision to submit or not to submit the bid, bidding with the intention not to win the bid and conditions or delivery particulars of the products or services to which this bid invitation relates.

- 3.4 The terms of the accompanying bid have not been, and will not be, disclosed by the bidder, directly or indirectly, to any competitor, prior to the date and time of the official bid opening or of the awarding of the contract.
- 3.5 There have been no consultations, communications, agreements or arrangements made by the bidder with any official of the procuring institution in relation to this procurement process prior to and during the bidding process except to provide clarification on the bid submitted where so required by the institution; and the bidder was not involved in the drafting of the specifications or terms of reference for this bid.
- 3.6 I am aware that, in addition and without prejudice to any other remedy provided to combat any restrictive practices related to bids and contracts, bids that are suspicious will be reported to the Competition Commission for investigation and possible imposition of administrative penalties in terms of section 59 of the Competition Act No 89 of 1998 and or may be reported to the National Prosecuting Authority (NPA) for criminal investigation and or may be restricted from conducting business with the public sector for a period not exceeding ten (10) years in terms of the Prevention and Combating of Corrupt Activities Act No 12 of 2004 or any other applicable legislation.

I CERTIFY THAT THE INFORMATION FURNISHED IN PARAGRAPHS 1, 2 and 3 ABOVE IS CORRECT.

I ACCEPT THAT THE STATE MAY REJECT THE BID OR ACT AGAINST ME IN TERMS OF PARAGRAPH 6 OF PFMA SCM INSTRUCTION 03 OF 2021/22 ON PREVENTING AND COMBATING ABUSE IN THE SUPPLY CHAIN MANAGEMENT SYSTEM SHOULD THIS DECLARATION PROVE TO BE FALSE.

.....

Signature

.....

Date

.....

Position

.....

Name of bidder

ANNEXURE VI
PREFERENCE POINTS CLAIM FORM
SBD 6.1

PREFERENCE POINTS CLAIM FORM IN TERMS OF THE PREFERENTIAL PROCUREMENT REGULATIONS 2022

This preference form must form part of all tenders invited. It contains general information and serves as a claim form for preference points for specific goals.

NB: BEFORE COMPLETING THIS FORM, TENDERERS MUST STUDY THE GENERAL CONDITIONS, DEFINITIONS AND DIRECTIVES APPLICABLE IN RESPECT OF THE TENDER AND PREFERENTIAL PROCUREMENT REGULATIONS, 2022

1. GENERAL CONDITIONS

1.1 The following preference point systems are applicable to invitations to tender:

- the 80/20 system for requirements with a Rand value of up to R50 000 000 (all applicable taxes included); and
- the 90/10 system for requirements with a Rand value above R50 000 000 (all applicable taxes included).

1.2 To be completed by the organ of state

(delete whichever is not applicable for this tender).

- a) The applicable preference point system for this tender is the 90/10 preference point system.
- b) The applicable preference point system for this tender is the 80/20 preference point system.
- c) Either the 90/10 or 80/20 preference point system will be applicable in this tender. The lowest/ highest acceptable tender will be used to determine the accurate system once tenders are received.

1.3 Points for this tender (even in the case of a tender for income-generating contracts) shall be awarded for:

- (a) Price; and
- (b) Specific Goals.

1.4 To be completed by the organ of state:

The maximum points for this tender are allocated as follows:

	POINTS
PRICE	80
SPECIFIC GOALS	20
Total points for Price and SPECIFIC GOALS	100

- 1.5 Failure on the part of a tenderer to submit proof or documentation required in terms of this tender to claim points for specific goals with the tender, will be interpreted to mean that preference points for specific goals are not claimed.
- 1.6 The organ of state reserves the right to require of a tenderer, either before a tender is adjudicated or at any time subsequently, to substantiate any claim in regard to preferences, in any manner required by the organ of state.

2. DEFINITIONS

- (a) **“tender”** means a written offer in the form determined by an organ of state in response to an invitation to provide goods or services through price quotations, competitive tendering process or any other method envisaged in legislation;
- (b) **“price”** means an amount of money tendered for goods or services, and includes all applicable taxes less all unconditional discounts;
- (c) **“rand value”** means the total estimated value of a contract in Rand, calculated at the time of bid invitation, and includes all applicable taxes;
- (d) **“tender for income-generating contracts”** means a written offer in the form determined by an organ of state in response to an invitation for the origination of income-generating contracts through any method envisaged in legislation that will result in a legal agreement between the organ of state and a third party that produces revenue for the organ of state, and includes, but is not limited to, leasing and disposal of assets and concession contracts, excluding direct sales and disposal of assets through public auctions; and
- (e) **“the Act”** means the Preferential Procurement Policy Framework Act, 2000 (Act No. 5 of 2000).

3. FORMULAE FOR PROCUREMENT OF GOODS AND SERVICES

3.1. POINTS AWARDED FOR PRICE

3.1.1 THE 80/20 OR 90/10 PREFERENCE POINT SYSTEMS

A maximum of 80 or 90 points is allocated for price on the following basis:

$$80/20 \quad \text{or} \quad 90/10$$

$$Ps = 80 \left(1 - \frac{Pt - P_{min}}{P_{min}} \right) \quad \text{or} \quad Ps = 90 \left(1 - \frac{Pt - P_{min}}{P_{min}} \right)$$

Where

Ps = Points scored for price of tender under consideration

Pt = Price of tender under consideration

Pmin = Price of lowest acceptable tender

3.2. FORMULAE FOR DISPOSAL OR LEASING OF STATE ASSETS AND INCOME GENERATING PROCUREMENT

3.2.1. POINTS AWARDED FOR PRICE

A maximum of 80 or 90 points is allocated for price on the following basis:

$$80/20 \quad \text{or} \quad 90/10$$

$$Ps = 80 \left(1 + \frac{Pt - P_{max}}{P_{max}} \right) \quad \text{or} \quad Ps = 90 \left(1 + \frac{Pt - P_{max}}{P_{max}} \right)$$

Where

Ps = Points scored for price of tender under consideration

Pt = Price of tender under consideration

Pmax = Price of highest acceptable tender

4. POINTS AWARDED FOR SPECIFIC GOALS

4.1. In terms of Regulation 4(2); 5(2); 6(2) and 7(2) of the Preferential Procurement Regulations, preference points must be awarded for specific goals stated in the tender. For the purposes of this tender the tenderer will be allocated points based on the goals stated in table 1 below as may be supported by proof/ documentation stated in the conditions of this tender:

4.2. In cases where organs of state intend to use Regulation 3(2) of the Regulations, which states that, if it is unclear whether the 80/20 or 90/10 preference point system applies, an organ of state must, in the tender documents, stipulate in the case of—

- (a) an invitation for tender for income-generating contracts, that either the 80/20 or 90/10 preference point system will apply and that the highest acceptable tender will be used to determine the applicable preference point system; or
- (b) any other invitation for tender, that either the 80/20 or 90/10 preference point system will apply and that the lowest acceptable tender will be used to determine the applicable preference point system,

then the organ of state must indicate the points allocated for specific goals for both the 90/10 and 80/20 preference point system.

Table 1: Specific goals for the tender and points claimed are indicated per the table below.

(Note to organs of state: Where either the 90/10 or 80/20 preference point system is applicable, corresponding points must also be indicated as such.)

Note to tenderers: The tenderer must indicate how they claim points for each preference point system.)

The specific goals allocated points in terms of this tender	Number of points allocated (90/10 system) (To be completed by the organ of state)	Number of points allocated (80/20 system) (To be completed by the organ of state)	Number of points claimed (90/10 system) (To be completed by the tenderer)	Number of points claimed (80/20 system) (To be completed by the tenderer)
Race (black ownership)	N/A	5	N/A	
Gender (female ownership)	N/A	10	N/A	
Disability	N/A	5	N/A	

DECLARATION WITH REGARD TO COMPANY/FIRM

- 4.3. Name of company/firm.....
- 4.4. Company registration number:
- 4.5. TYPE OF COMPANY/ FIRM
- Partnership/Joint Venture / Consortium
 - One-person business/sole propriety
 - Close corporation
 - Public Company
 - Personal Liability Company

- (Pty) Limited
- Non-Profit Company
- State Owned Company

[TICK APPLICABLE BOX]

4.6. I, the undersigned, who is duly authorised to do so on behalf of the company/firm, certify that the points claimed, based on the specific goals as advised in the tender, qualifies the company/ firm for the preference(s) shown and I acknowledge that:

- i) The information furnished is true and correct;
- ii) The preference points claimed are in accordance with the General Conditions as indicated in paragraph 1 of this form;
- iii) In the event of a contract being awarded as a result of points claimed as shown in paragraphs 1.4 and 4.2, the contractor may be required to furnish documentary proof to the satisfaction of the organ of state that the claims are correct;
- iv) If the specific goals have been claimed or obtained on a fraudulent basis or any of the conditions of contract have not been fulfilled, the organ of state may, in addition to any other remedy it may have –
 - (a) disqualify the person from the tendering process;
 - (b) recover costs, losses or damages it has incurred or suffered as a result of that person’s conduct;
 - (c) cancel the contract and claim any damages which it has suffered as a result of having to make less favourable arrangements due to such cancellation;
 - (d) recommend that the tenderer or contractor, its shareholders and directors, or only the shareholders and directors who acted on a fraudulent basis, be restricted from obtaining business from any organ of state for a period not exceeding 10 years, after the *audi alteram partem* (hear the other side) rule has been applied; and
 - (e) forward the matter for criminal prosecution, if deemed necessary.

.....

SIGNATURE(S) OF TENDERER(S)

SURNAME AND NAME:

DATE:

ADDRESS:

.....

.....

.....

ANNEXURE VII
CONTRACT FORM – PURCHASE OF GOODS/WORKS
SBD 7.1

CONTRACT FORM - PURCHASE OF GOODS/WORKS

THIS FORM MUST BE FILLED IN DUPLICATE BY BOTH THE SUCCESSFUL BIDDER (PART 1) AND THE PURCHASER (PART 2). BOTH FORMS MUST BE SIGNED IN THE ORIGINAL SO THAT THE SUCCESSFUL BIDDER AND THE PURCHASER WOULD BE IN POSSESSION OF ORIGINALLY SIGNED CONTRACTS FOR THEIR RESPECTIVE RECORDS.

PART 1 (TO BE FILLED IN BY THE BIDDER)

1. I hereby undertake to supply all or any of the goods and/or works described in the attached bidding documents to (name of institution)..... in accordance with the requirements and specifications stipulated in bid number..... at the price/s quoted. My offer/s remain binding upon me and open for acceptance by the purchaser during the validity period indicated and calculated from the closing time of bid.

2. The following documents shall be deemed to form and be read and construed as part of this agreement:
 - (i) Bidding documents, viz
 - Invitation to bid;
 - Tax clearance certificate;
 - Pricing schedule(s);
 - Technical Specification(s);
 - Preference claims for specific goals in terms of the Preferential Procurement Regulations 2022;
 - Declaration of interest;
 - Contract form;
 - Special Conditions of Contract;
 - (ii) General Conditions of Contract; and
 - (iii) Other (specify)

3. I confirm that I have satisfied myself as to the correctness and validity of my bid; that the price(s) and rate(s) quoted cover all the goods and/or works specified in the bidding documents; that the

price(s) and rate(s) cover all my obligations and I accept that any mistakes regarding price(s) and rate(s) and calculations will be at my own risk.

4. I accept full responsibility for the proper execution and fulfilment of all obligations and conditions devolving on me under this agreement as the principal liable for the due fulfilment of this contract.
5. I declare that I have no participation in any collusive practices with any bidder or any other person regarding this or any other bid.
6. I confirm that I am duly authorised to sign this contract.

NAME (PRINT)

CAPACITY

SIGNATURE

NAME OF FIRM

DATE

WITNESSES	
1
2.
DATE:

CONTRACT FORM - PURCHASE OF GOODS/WORKS

PART 2 (TO BE FILLED IN BY THE PURCHASER)

1. I..... in my capacity as..... accept your bid under reference numberdated.....for the supply of goods/works indicated hereunder and/or further specified in the annexure(s).

2. An official order indicating delivery instructions is forthcoming.

3. I undertake to make payment for the goods/works delivered in accordance with the terms and conditions of the contract, within 30 (thirty) days after receipt of an invoice accompanied by the delivery note.

NO.	PRICE (ALL APPLICABLE TAXES INCLUDED)	BRAND	DELIVERY PERIOD	B-BBEE STATUS LEVEL OF CONTRIBUTION	MINIMUM THRESHOLD FOR LOCAL PRODUCTION AND CONTENT (if applicable)
					N/A

4. I confirm that I am duly authorised to sign this contract.

SIGNED ATON.....

NAME (PRINT)

SIGNATURE

OFFICIAL STAMP

WITNESSES

1.

2.

DATE

ANNEXURE VIII
GENERAL CONDITIONS OF CONTRACT

SECTION G

GENERAL CONDITIONS OF CONTRACT

July 2010

GOVERNMENT PROCUREMENT

NOTES

The purpose of this document is to:

- (i) Draw special attention to certain general conditions applicable to government bids, contracts and orders; and
- (ii) To ensure that clients be familiar with regard to the rights and obligations of all parties involved in doing business with government.

In this document words in the singular also mean in the plural and vice versa and words in the masculine also mean in the feminine and neuter.

- The General Conditions of Contract will form part of all bid documents and may not be amended.
- Special Conditions of Contract (SCC) relevant to a specific bid, should be compiled separately for every bid (if applicable) and will supplement the General Conditions of Contract. Whenever there is a conflict, the provisions in the SCC shall prevail.

TABLE OF CLAUSES

1. Definitions
2. Application
3. General
4. Standards
5. Use of contract documents and information; inspection
6. Patent rights
7. Performance security
8. Inspections, tests and analysis
9. Packing
10. Delivery and documents
11. Insurance
12. Transportation
13. Incidental services
14. Spare parts
15. Warranty
16. Payment
17. Prices
18. Contract amendments
19. Assignment
20. Subcontracts
21. Delays in the supplier's performance
22. Penalties
23. Termination for default
24. Dumping and countervailing duties
25. Force Majeure
26. Termination for insolvency
27. Settlement of disputes
28. Limitation of liability
29. Governing language
30. Applicable law
31. Notices
32. Taxes and duties
33. National Industrial Participation Programme (NIPP)
34. Prohibition of restrictive practices

GENERAL CONDITIONS OF CONTRACT

1. Definitions

1. The following terms shall be interpreted as indicated:
 - 1.1 “Closing time” means the date and hour specified in the bidding documents for the receipt of bids.
 - 1.2 “Contract” means the written agreement entered into between the purchaser and the supplier, as recorded in the contract form signed by the parties, including all attachments and appendices thereto and all documents incorporated by reference therein.
 - 1.3 “Contract price” means the price payable to the supplier under the contract for the full and proper performance of his contractual obligations.
 - 1.4 “Corrupt practice” means the offering, giving, receiving, or soliciting of anything of value to influence the action of a public official in the procurement process or in contract execution.
 - 1.5 “Countervailing duties” are imposed in cases where an enterprise abroad is subsidized by its government and encouraged to market its products internationally.
 - 1.6 “Country of origin” means the place where the goods were mined, grown or produced or from which the services are supplied. Goods are produced when, through manufacturing, processing or substantial and major assembly of components, a commercially recognized new product results that is substantially different in basic characteristics or in purpose or utility from its components.
 - 1.7 “Day” means calendar day.
 - 1.8 “Delivery” means delivery in compliance of the conditions of the contract or order.
 - 1.9 “Delivery ex stock” means immediate delivery directly from stock actually on hand.
 - 1.10 “Delivery into consignee’s store or to his site” means delivered and unloaded in the specified store or depot or on the specified site in compliance with the

conditions of the contract or order, the supplier bearing all risks and charges involved until the supplies are so delivered and a valid receipt is obtained.

- 1.11 "Dumping" occurs when a private enterprise abroad market its goods on own initiative in the RSA at lower prices than that of the country of origin and which have the potential to harm the local industries in the RSA.
- 1.12 " Force majeure" means an event beyond the control of the supplier and not involving the supplier's fault or negligence and not foreseeable. Such events may include, but is not restricted to, acts of the purchaser in its sovereign capacity, wars or revolutions, fires, floods, epidemics, quarantine restrictions and freight embargoes.
- 1.13 "Fraudulent practice" means a misrepresentation of facts in order to influence a procurement process or the execution of a contract to the detriment of any bidder, and includes collusive practice among bidders (prior to or after bid submission) designed to establish bid prices at artificial non-competitive levels and to deprive the bidder of the benefits of free and open competition.
- 1.14 "GCC" means the General Conditions of Contract.
- 1.15 "Goods" means all of the equipment, machinery, and/or other materials that the supplier is required to supply to the purchaser under the contract.
- 1.16 "Imported content" means that portion of the bidding price represented by the cost of components, parts or materials which have been or are still to be imported (whether by the supplier or his subcontractors) and which costs are inclusive of the costs abroad, plus freight and other direct importation costs such as landing costs, dock dues, import duty, sales duty or other similar tax or duty at the South African place of entry as well as transportation and handling charges to the factory in the Republic where the supplies covered by the bid will be manufactured.
- 1.17 "Local content" means that portion of the bidding price which is not included in the imported content provided that local manufacture does take place.
- 1.18 "Manufacture" means the production of products in a factory using labour, materials, components and machinery and includes other related value-adding activities.

- 1.19 “Order” means an official written order issued for the supply of goods or works or the rendering of a service.
- 1.20 “Project site,” where applicable, means the place indicated in bidding documents.
- 1.21 “Purchaser” means the organization purchasing the goods.
- 1.22 “Republic” means the Republic of South Africa.
- 1.23 “SCC” means the Special Conditions of Contract.
- 1.24 “Services” means those functional services ancillaries to the supply of the goods, such as transportation and any other incidental services, such as installation, commissioning, provision of technical assistance, training, catering, gardening, security, maintenance and other such obligations of the supplier covered under the contract.
- 1.25 “Written” or “in writing” means handwritten in ink or any form of electronic or mechanical writing.

2. Application

- 2.1 These general conditions are applicable to all bids, contracts and orders **including** bids for functional and professional services, sales, hiring, **letting** and the granting or acquiring of rights, but excluding immovable property, unless otherwise indicated in the bidding documents.
- 2.2 Where applicable, special conditions of contract are also laid down to cover specific supplies, services or works.
- 2.3 Where such special conditions of contract are in conflict with these general conditions, the special conditions shall apply.

3. General

- 3.1 Unless otherwise indicated in the bidding documents, the purchaser shall not be liable for any expense incurred in the preparation and submission of a bid. Where applicable a non-refundable fee for documents may be charged.
- 3.2 With certain exceptions, invitations to bid are only published in the Government Tender Bulletin. The Government Tender Bulletin may be obtained directly from the Government Printer, Private Bag X85, Pretoria 0001, or accessed electronically from www.treasury.gov.za

4. Standards

- 4.1 The goods supplied shall conform to the standards mentioned in the bidding documents and specifications.

5. Use of documents contract and information; inspection

5.1 The supplier shall not, without the purchaser's prior written consent, disclose the contract, or any provision thereof, or any specification, plan, drawing, pattern, sample, or information furnished by or on behalf of the purchaser in connection therewith, to any person other than a person employed by the supplier in the performance of the contract. Disclosure to any such employed person shall be made in confidence and shall extend only so far as may be necessary for purposes of such performance.

5.2 The supplier shall not, without the purchaser's prior written consent, make use of any document or information mentioned in GCC clause 5.1 except for purposes of performing the contract.

5.3 Any document, other than the contract itself mentioned in GCC clause 5.1 shall remain the property of the purchaser and shall be returned (all copies) to the purchaser on completion of the supplier's performance under the contract if so required by the purchaser.

5.4 The supplier shall permit the purchaser to inspect the supplier's records relating to the performance of the supplier and to have them audited by auditors appointed by the purchaser, if so required by the purchaser.

6. Patent rights

6.1 The supplier shall indemnify the purchaser against all third-party claims of infringement of patent, trademark, or industrial design rights arising from use of the goods or any part thereof by the purchaser.

7. Performance security

7.1 Within thirty (30) days of receipt of the notification of contract award, the successful bidder shall furnish to the purchaser the performance security of the amount specified in SCC.

7.2 The proceeds of the performance security shall be payable to the purchaser as compensation for any loss resulting from the supplier's failure to complete his obligations under the contract.

7.3 The performance security shall be denominated in the currency of the contract, or in a freely convertible currency acceptable to the purchaser and shall be in one of the following forms:

- a) a bank guarantee or an irrevocable letter of credit issued by a reputable bank located in the purchaser's country or abroad, acceptable to the purchaser, in the form provided in the bidding documents or another form acceptable to the purchaser; or
- b) a cashier's or certified cheque

7.4 The performance security will be discharged by the purchaser and returned to the supplier not later than thirty (30) days following the date of completion of the supplier's performance obligations under the contract, including any warranty obligations, unless otherwise specified in SCC.

8. Inspections, tests and analyses

8.1 All pre-bidding testing will be for the account of the bidder.

8.2 If it is a bid condition that supplies to be produced or services to be rendered should at any stage during production or execution or on completion be subject to inspection, the premises of the

bidder or contractor shall be open, at all reasonable hours, for inspection by a representative of the Department or an organization acting on behalf of the Department.

- 8.3 If there are no inspection requirements indicated in the bidding documents and no mention is made in the contract, but during the contract period it is decided that inspections shall be carried out, the purchaser shall itself make the necessary arrangements, including payment arrangements with the testing authority concerned.
- 8.4 If the inspections, tests and analyses referred to in clauses 8.2 and 8.3 show the supplies to be in accordance with the contract requirements, the cost of the inspections, tests and analyses shall be defrayed by the purchaser.
- 8.5 Where the supplies or services referred to in clauses 8.2 and 8.3 do not comply with the contract requirements, irrespective of whether such supplies or services are accepted or not, the cost in connection with these inspections, tests or analyses shall be defrayed by the supplier.
- 8.6 Supplies and services which are referred to in clauses 8.2 and 8.3 and which do not comply with the contract requirements may be rejected.
- 8.7 Any contract supplies may on or after delivery be inspected, tested or analysed and may be rejected if found not to comply with the requirements of the contract. Such rejected supplies shall be held at the cost and risk of the supplier who shall, when called upon, remove them immediately at his own cost and forthwith substitute them with supplies which do comply with the requirements of the contract. Failing such removal, the rejected supplies shall be returned at the suppliers cost and risk. Should the supplier fail to provide the substitute supplies forthwith, the purchaser may, without giving the supplier further opportunity to substitute the rejected supplies, purchase such supplies as may be necessary at the expense of the supplier.
- 8.8 The provisions of clauses 8.4 to 8.7 shall not prejudice the right of the purchaser to cancel the contract on account of a breach of the conditions thereof, or to act in terms of Clause 23 of GCC.

9. Packing

- 9.1 The supplier shall provide such packing of the goods as is required to prevent their damage or deterioration during transit to their final destination, as indicated in the contract. The packing shall be sufficient to withstand, without limitation, rough handling during transit and exposure to extreme temperatures, salt and precipitation during transit, and open storage. Packing, case size and weights shall take into consideration, where appropriate, the remoteness of the goods' final destination and the absence of heavy handling facilities at all points in transit.
- 9.2 The packing, marking, and documentation within and outside the packages shall comply strictly with such special requirements as shall be expressly provided for in the contract, including additional requirements, if any, specified in SCC, and in any subsequent instructions ordered by the purchaser.

10. Delivery and documents

10.1 Delivery of the goods shall be made by the supplier in accordance with the terms specified in the contract. The details of shipping and/or other documents to be furnished by the supplier are specified in SCC.

10.2 Documents to be submitted by the supplier are specified in SCC.

11. Insurance

11.1 The goods supplied under the contract shall be fully insured in a freely convertible currency against loss or damage incidental to manufacture or acquisition, transportation, storage and delivery in the manner specified in the SCC.

12. Transportation

12.1 Should a price other than an all-inclusive delivered price be required, this shall be specified in the SCC.

13. Incidental services

13.1 The supplier may be required to provide any or all of the following services, including additional services, if any, specified in SCC:

- (a) performance or supervision of on-site assembly and/or commissioning of the supplied goods;
- (b) furnishing of tools required for assembly and/or maintenance of the supplied goods;
- (c) furnishing of a detailed operations and maintenance manual for each appropriate unit of the supplied goods;
- (d) performance or supervision or maintenance and/or repair of the supplied goods, for a period of time agreed by the parties, provided that this service shall not relieve the supplier of any warranty obligations under this contract; and
- (e) training of the purchaser's personnel, at the supplier's plant and/or on-site, in assembly, start-up, operation, maintenance, and/or repair of the supplied goods.

13.2 Prices charged by the supplier for incidental services, if not included in the contract price for the goods, shall be agreed upon in advance by the parties and shall not exceed the prevailing rates charged to other parties by the supplier for similar services.

14. Spare parts

14.1 As specified in SCC, the supplier may be required to provide any or all of the following materials, notifications, and information pertaining to spare parts manufactured or distributed by the supplier:

- (a) such spare parts as the purchaser may elect to purchase from the supplier, provided that this election shall not relieve the supplier of any warranty obligations under the contract; and
- (b) in the event of termination of production of the spare parts:
 - (i) Advance notification to the purchaser of the pending termination, in sufficient time to permit the purchaser to procure needed requirements; and
 - (ii) following such termination, furnishing at no cost to the purchaser, the blueprints, drawings, and specifications of the spare parts, if requested.

15. Warranty

15.1 The supplier warrants that the goods supplied under the contract are new, unused, of the most recent or current models, and that they incorporate all recent improvements in design and materials unless provided otherwise in the contract. The supplier further warrants that all goods supplied under this contract shall have no defect, arising from design, materials, or workmanship (except when the design and/or material is required by the purchaser's specifications) or from any act or omission of the supplier, that may develop under normal use of the supplied goods in the conditions prevailing in the country of final destination.

15.2 This warranty shall remain valid for twelve (12) months after the goods, or any portion thereof as the case may be, have been delivered to and accepted at the final destination indicated in the contract, or for eighteen (18) months after the date of shipment from the port or place of loading in the source country, whichever period concludes earlier, unless specified otherwise in SCC.

15.3 The purchaser shall promptly notify the supplier in writing of any claims arising under this warranty.

15.4 Upon receipt of such notice, the supplier shall, within the period specified in SCC and with all reasonable speed, repair or replace the defective goods or parts thereof, without costs to the purchaser.

15.5 If the supplier, having been notified, fails to remedy the defect(s) within the period specified in SCC, the purchaser may proceed to take such remedial action as may be necessary, at the supplier's risk and expense and without prejudice to any other rights which the purchaser may have against the supplier under the contract.

16. Payment

16.1 The method and conditions of payment to be made to the supplier under this contract shall be specified in SCC.

16.2 The supplier shall furnish the purchaser with an invoice accompanied by a copy of the delivery note and upon fulfilment of other obligations stipulated in the contract.

16.3 Payments shall be made promptly by the purchaser, but in no case later than thirty (30) days after submission of an invoice or claim by the supplier.

16.4 Payment will be made in Rand unless otherwise stipulated in SCC.

17. Prices

17.1 Prices charged by the supplier for goods delivered and services performed under the contract shall not vary from the prices quoted by the supplier in his bid, with the exception of any price adjustments authorized in SCC or in the purchaser's request for bid validity extension, as the case may be.

18. Contract amendments

18.1 No variation in or modification of the terms of the contract shall be made except by written amendment signed by the parties concerned.

19. Assignment

19.1 The supplier shall not assign, in whole or in part, its obligations to perform under the contract, except with the purchaser's prior written consent.

20. Subcontracts

20.1 The supplier shall notify the purchaser in writing of all subcontracts awarded under this contract if not already specified in the bid. Such notification, in the original bid or later, shall not relieve the supplier from any liability or obligation under the contract.

21. Delays in the supplier's performance

21.1 Delivery of the goods and performance of services shall be made by the supplier in accordance with the time schedule prescribed by the purchaser in the contract.

21.2 If at any time during performance of the contract, the supplier or its subcontractor(s) should encounter conditions impeding timely delivery of the goods and performance of services, the supplier shall promptly notify the purchaser in writing of the fact of the delay, its likely duration and its cause(s). As soon as practicable after receipt of the supplier's notice, the purchaser shall evaluate the situation and may at his discretion extend the supplier's time for performance, with or without the imposition of penalties, in which case the extension shall be ratified by the parties by amendment of contract.

21.3 No provision in a contract shall be deemed to prohibit the obtaining of supplies or services from a national department, provincial department, or a local authority.

21.4 The right is reserved to procure outside of the contract small quantities or to have minor essential services executed if an emergency arises, the supplier's point of supply is not situated at or near the place where the supplies are required, or the supplier's services are not readily available.

21.5 Except as provided under GCC Clause 25, a delay by the supplier in the performance of its delivery obligations shall render the supplier liable to the imposition of penalties, pursuant to GCC Clause 22, unless an extension of time is agreed upon pursuant to GCC Clause 21.2 without the application of penalties.

21.6 Upon any delay beyond the delivery period in the case of a supplies contract, the purchaser shall, without cancelling the contract, be entitled to purchase supplies of a similar quality and up to the same quantity in substitution of the goods not supplied in conformity with the contract and to return any goods delivered later at the supplier's expense and risk, or to cancel the contract and buy such goods as may be required to complete the contract and without prejudice to his other rights, be entitled to claim damages from the supplier.

22. Penalties

22.1 Subject to GCC Clause 25, if the supplier fails to deliver any or all of the goods or to perform the services within the period(s) specified in the contract, the purchaser shall, without prejudice to its other remedies under the contract, deduct from the contract price, as a penalty, a sum calculated on the delivered price of the delayed goods or unperformed services using the current prime interest rate calculated for each day of the delay until actual delivery or performance. The purchaser may also consider termination of the contract pursuant to GCC Clause 23.

23. Termination for default

23.1 The purchaser, without prejudice to any other remedy for breach of contract, by written notice of default sent to the supplier, may terminate this contract in whole or in part:

- (a) if the supplier fails to deliver any or all of the goods within the period(s) specified in the contract, or within any extension thereof granted by the purchaser pursuant to GCC Clause 21.2;
- (b) if the Supplier fails to perform any other obligation(s) under the contract;
or
- (c) if the supplier, in the judgment of the purchaser, has engaged in corrupt or fraudulent practices in competing for or in executing the contract.

23.2 In the event the purchaser terminates the contract in whole or in part, the purchaser may procure, upon such terms and in such manner as it deems appropriate, goods, works or services similar to those undelivered, and the supplier shall be liable to the purchaser for any excess costs for such similar goods, works or services. However, the supplier shall continue performance of the contract to the extent not terminated.

23.3 Where the purchaser terminates the contract in whole or in part, the purchaser may decide to impose a restriction penalty on the supplier by prohibiting such supplier from doing business with the public sector for a period not exceeding 10 years.

23.4 If a purchaser intends imposing a restriction on a supplier or any person associated with the supplier, the supplier will be allowed a time period of not more than fourteen (14) days to provide reasons why the envisaged restriction should not be imposed. Should the supplier fail to respond within the stipulated fourteen (14) days the purchaser may regard the intended penalty as not objected against and may impose it on the supplier.

23.5 Any restriction imposed on any person by the Accounting Officer / Authority will, at the discretion of the Accounting Officer / Authority, also be applicable to any other enterprise or any partner, manager, director or other person who wholly or partly exercises or exercised or may exercise control over the enterprise of the first-mentioned person, and with which enterprise or person the first-mentioned person, is or was in the opinion of the Accounting Officer / Authority actively associated.

23.6 If a restriction is imposed, the purchaser must, within five (5) working days of such imposition, furnish the National Treasury, with the following information:

- (i) the name and address of the supplier and / or person restricted by the purchaser;
- (ii) the date of commencement of the restriction
- (iii) the period of restriction; and (iv) the reasons for the restriction.

These details will be loaded in the National Treasury's central database of suppliers or persons prohibited from doing business with the public sector.

23.7 If a court of law convicts a person of an offence as contemplated in sections 12 or 13 of the Prevention and Combating of Corrupt Activities Act, No. 12 of 2004, the court may also rule that such person's name be endorsed on the Register for Tender Defaulters. When a person's name has been endorsed on the Register, the person will be prohibited from doing business with the public sector for a period not less than five years and not more than 10 years. The National Treasury is empowered to determine the period of restriction and each case will be dealt with on its own merits. According to section 32 of the Act the Register must be open to the public. The Register can be perused on the National Treasury website.

24. Anti-dumping and countervailing duties and rights

24.1 When, after the date of bid, provisional payments are required, or antidumping or countervailing duties are imposed, or the amount of a provisional payment or anti-dumping or countervailing right is increased in respect of any dumped or subsidized import, the State is not liable for any amount so required or imposed, or for the amount of any such increase. When, after the said date, such a provisional payment is no longer required or any such anti-dumping or countervailing right is abolished, or where the amount of such provisional payment or any such right is reduced, any such favourable difference shall on demand be paid forthwith by the contractor to the State or the State may deduct such amounts from moneys (if any) which may otherwise be due to the contractor in regard to supplies or services which he delivered or rendered, or is to deliver or render in terms of the contract or any other contract or any other amount which may be due to him.

25. Force Majeure

25.1 Notwithstanding the provisions of GCC Clauses 22 and 23, the supplier shall not be liable for forfeiture of its performance security, damages, or termination for default if and to the extent that his delay in performance or other failure to perform his obligations under the contract is the result of an event of force majeure.

25.2 If a force majeure situation arises, the supplier shall promptly notify the purchaser in writing of such condition and the cause thereof. Unless otherwise directed by the purchaser in writing, the supplier shall continue to perform its obligations under the contract as far as is reasonably practical, and shall seek all reasonable alternative means for performance not prevented by the force majeure event.

26. Termination for insolvency

26.1 The purchaser may at any time terminate the contract by giving written notice to the supplier if the supplier becomes bankrupt or otherwise insolvent. In this event, termination will be without compensation to the supplier, provided that such termination will not prejudice or affect any right of action or remedy which has accrued or will accrue thereafter to the purchaser.

27. Settlement of Disputes

27.1 If any dispute or difference of any kind whatsoever arises between the purchaser and the supplier about or arising out of the **contract**, the parties shall make every effort to resolve amicably such **dispute** or difference by mutual consultation.

27.2 If, after thirty (30) days, the parties have failed to resolve their dispute **or** difference by such mutual consultation, then either the purchaser or **the** supplier may give notice to the other party of his intention to **commence** with mediation. No mediation in respect of this matter may **be** commenced unless such notice is given to the other party.

27.3 Should it not be possible to settle a dispute by means of mediation, it **may** be settled in a South African court of law.

27.4 Mediation proceedings shall be conducted in accordance with the rules **of** procedure specified in the SCC.

27.5 Notwithstanding any reference to mediation and/or court proceedings herein,

- (a) the parties shall continue to perform their respective obligations **under** the contract unless they otherwise agree; and (b) the purchaser shall pay the supplier any monies due the supplier.

28. Limitation of liability

28.1 Except in cases of criminal negligence or wilful misconduct, and in the case of infringement pursuant to Clause 6;

- (a) the supplier shall not be liable to the purchaser, whether in contract, tort, or otherwise, for any indirect or consequential loss or damage, loss of use, loss of production, or loss of profits or interest costs, provided that this exclusion shall not apply to any obligation of the supplier to pay penalties and/or damages to the purchaser; and
- (b) the aggregate liability of the supplier to the purchaser, whether **under** the contract, in tort or otherwise, shall not exceed the total **contract** price, provided that this limitation shall not apply to the cost of repairing or replacing defective equipment.

29. Governing language

29.1 The contract shall be written in English. All correspondence and other documents pertaining to the contract that is exchanged by the parties shall also be written in English.

30. Applicable law

30.1 The contract shall be interpreted in accordance with South African laws, unless otherwise specified in SCC.

31. Notices

31.1 Every written acceptance of a bid shall be posted to the supplier concerned by registered or certified mail and any other notice to him shall be posted by ordinary mail to the address furnished in his bid or to

the address notified later by him in writing and such posting shall be deemed to be proper service of such notice

31.2 The time mentioned in the contract documents for performing any act after such aforesaid notice has been given, shall be reckoned from the date of posting of such notice.

32. Taxes and duties

32.1 A foreign supplier shall be entirely responsible for all taxes, stamp, duties, license fees, and other such levies imposed outside the country.

32.2 A local supplier shall be entirely responsible for all taxes, duties, license fees, etc., incurred until delivery of the contracted goods to the purchaser.

32.3 No contract shall be concluded with any bidder whose tax matters are not in order. Prior to the award of a bid the Department must be in possession of a tax clearance certificate, submitted by the bidder. This certificate must be an original issued by the South African Revenue Services.

33. National Industrial Participation Programme (NIP)

33.1 The NIP Programme administered by the Department of Trade and Industry shall be applicable to all contracts that are subject to the NIP obligation.

34 Prohibition of Restrictive practices

34.1 In terms of section 4 (1) (b) (iii) of the Competition Act No. 89 of 1998, as amended, an agreement between, or concerted practice by, firms, or a decision by an association of firms, is prohibited if it is between parties in a horizontal relationship and if a bidder (s) is / are or a contractor(s) was / were involved in collusive bidding (or bid rigging).

34.2 If a bidder(s) or contractor(s), based on reasonable grounds or evidence obtained by the purchaser, has / have engaged in the restrictive practice referred to above, the purchaser may refer the matter to the Competition Commission for investigation and possible imposition of administrative penalties as contemplated in the Competition Act No. 89 of 1998.

34.3

If a bidder(s) or contractor(s), has / have been found guilty by the Competition Commission of the restrictive practice referred to above, the purchaser may, in addition and without prejudice to any other remedy provided for, invalidate the bid(s) for such item(s) offered, and / or terminate the contract in whole or part, and / or restrict the bidder(s) or

contractor(s) from conducting business with the public sector for a period not exceeding ten (10) years and / or claim damages from the bidder(s) or contractor(s) concerned.

General Conditions of Contract (revised July 2010)

.....
Signature

.....
Date

.....
Position

.....
Name of Bidder